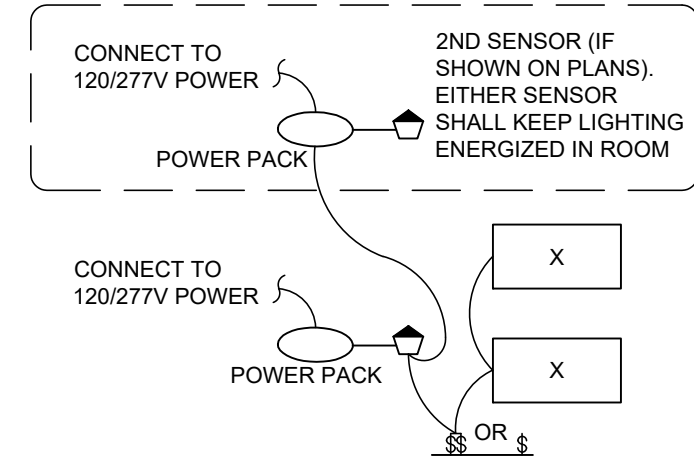


OCCUPANCY SENSOR SCHEDULE				
TYPE	DESCRIPTION	MANUFACTURER	MODEL	FINISH
1U5	ULTRASONIC 360 DEGREE 500SF ULTRASONIC 360 DEGREE 2000SF ULTRASONIC 360 DEGREE 500SF	WATTSTOPPER HUBBELL LEVITON	UT305-1 OMNIUS2000 OSC05-UOW	WHITE
1W	AUTOMATIC WALL SWITCH AUTOMATIC WALL SWITCH AUTOMATIC WALL SWITCH	WATTSTOPPER HUBBELL LEVITON	FW100 LHRS1 ODS10-ID	MATCH DEVICE COLOR
1WD	DUAL TECHNOLOGY WALLSWITCH DUAL TECHNOLOGY WALLSWITCH DUAL TECHNOLOGY WALLSWITCH	WATTSTOPPER HUBBELL LEVITON	DW100 LHMTS1 ODSMT-1MD	MATCH DEVICE COLOR
OSD	INFRARED 0-10V DIMMER/WALLSWITCH DUAL TECHNOLOGY 0-10V DIMMER/WALLSWITCH INFRARED 0-10V DIMMER/WALLSWITCH	WATTSTOPPER HUBBELL	ODS10-IO DW311 LHDIRS-3-N	MATCH DEVICE COLOR

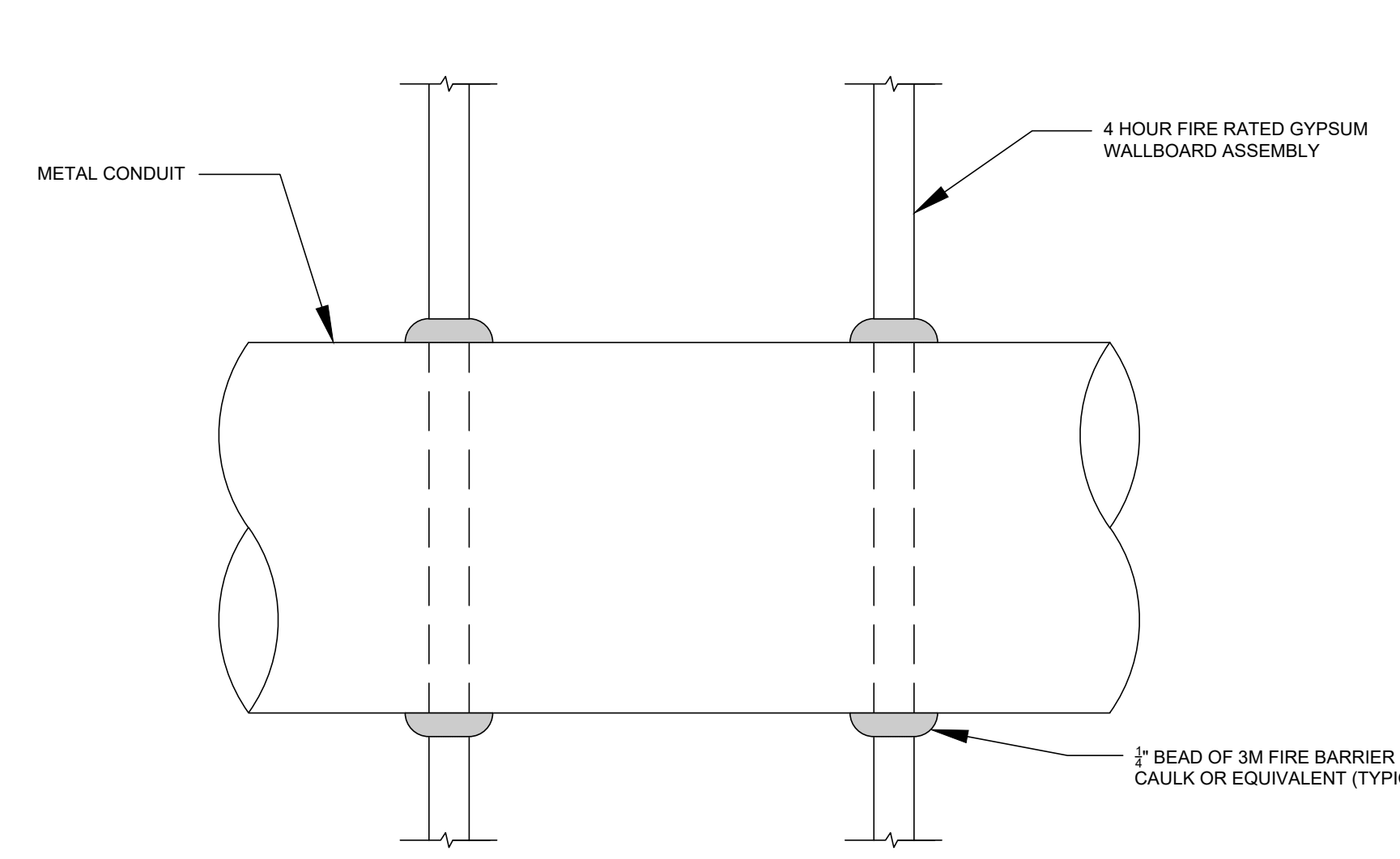
NOTES:

- PROVIDE ALL POWER ACCESSORIES AND MOUNTING HARDWARE AS REQUIRED.
- WHEN THE SENSOR IS SHOWN IN A ROOM WITH WALL SWITCHES, THE SENSOR SHALL ACT AS AN OVERRIDE TO THE SWITCH/ROOM LIGHTING.
- SET THE SENSOR TO ITS LONGEST SETTING.
- SET ALL TIMER FUNCTIONS FOR 30 MINUTE INTERVAL.



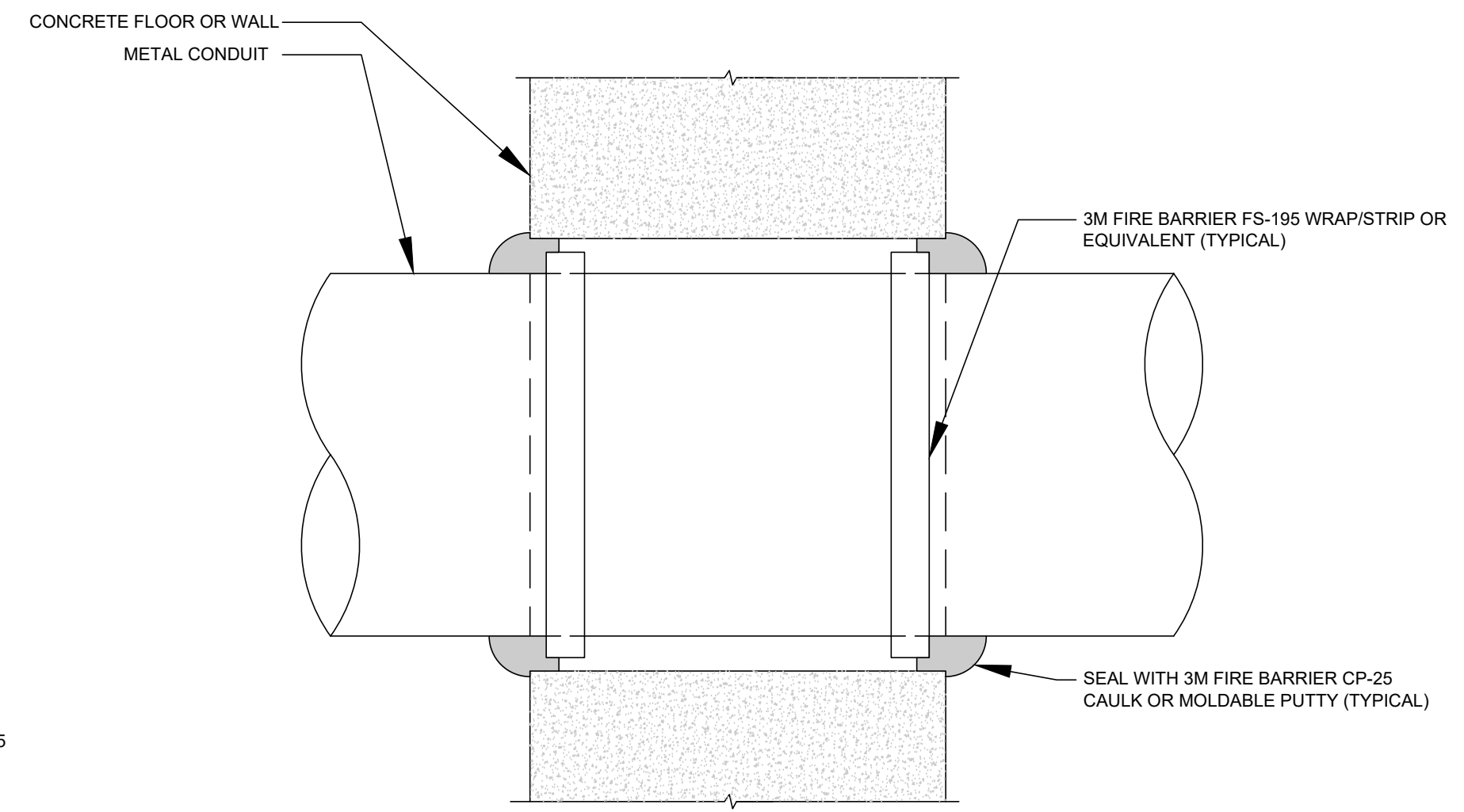
OCCUPANCY SENSOR WIRING DETAIL

1
E700
NO SCALE



6" MAXIMUM DIAMETER RIGID STEEL CONDUIT
4" MAXIMUM DIAMETER EMT CONDUIT
THROUGH GYPSUM WALLBOARD ASSEMBLY
4 HOUR MAXIMUM FIRE RATING

2
E700
NO SCALE



6" MAXIMUM DIAMETER RIGID STEEL CONDUIT
4" MAXIMUM DIAMETER EMT CONDUIT
THROUGH CONCRETE WALL OR FLOOR ASSEMBLY
2, 3, OR 4 HOUR MAXIMUM FIRE RATING

3
E700
NO SCALE

MOTOR SCHEDULE													
NO.	DESCRIPTION	LOC.	HP	MCA	MAX. FUSE	WATTS	VOLTAGE	CIRCUIT	BREAKER	STARTER	DISC.	FEEDER	NOTES
1	CONDENSING UNIT	OUTSIDE					240/1	AA-14,16	30/2		MAN	3#10 - 3/4"C	1
2	FURNACE	01					120/1	AA-7	20/1		MAN	3#12 - 1/2"C	1
3	EXHAUST FAN	16					120/1	AA-3	20/1		MAN	3#12 - 1/2"C	1,2
4	EXHAUST FAN	17					120/1	AA-3	20/1		MAN	3#12 - 1/2"C	1,2

NOTES:

- VERIFY FINAL LOCATION WITH HVAC DRAWINGS AND ADJUST LOCATION AS REQUIRED.
- WIRE NOTED FANS TO ROOM LIGHT CIRCUIT. FANS SHALL OPERATE WHEN ROOM LIGHTS ARE OPERATING.

GENERAL NOTES:

- WHEN STARTERS AND DISCONNECTS ARE PROVIDED BY HVAC, INSTALL STARTERS AND MAKE ALL RELATED LINE VOLTAGE ELECTRICAL CONNECTIONS.
- ALL MAG/COMB STARTERS ARE TO BE PROVIDED WITH HAND-OFF-AUTO SELECTOR SWITCHES. ALL MAN STARTERS ARE TO HAVE A PILOT LIGHT.
- VERIFY LOCATION OF MOTORS WITH THE TRADE SUPPLYING THEM. LOCATIONS SHOWN ON ELECTRICAL PLANS ARE ONLY APPROXIMATE.
- VERIFY IN-RUSH CURRENTS OF ALL MOTORS PRIOR TO ELECTRICAL ROUGH-IN/PURCHASE.

ABBREVIATIONS:

FSSW: FUSED SAFETY SWITCH	COMB: COMBINATION STARTER	HP: HORSEPOWER
NFSSW: NON-FUSED SAFETY SWITCH	MAG: MAGNETIC STARTER	TS: 20A TOGGLE SWITCH
HVAC: HVAC CONTRACTOR	MAN: MANUAL STARTER WITH OVERLOAD	(R): ROOF
EC: ELECTRICAL CONTRACTOR	C/P: CORD AND PLUG	EQUIP: INTEGRAL WITH EQUIPMENT

C.PANEL: CONTROL PANEL PROVIDED BY CONTRACTOR SUPPLYING EQUIPMENT SERVED.

PANEL SCHEDULE																		
PANEL NAME	PANEL VOLTAGE	PHASES	WIRES	MAIN (MLO/ MCB)	AMPERAGE	TUBS/CKTS/ PANEL TUB	PANEL MANUFACTURER	MODEL	MOUNTING/AIC TYPE	BREAKERS TYPE	QTY	TYPE	QTY	TYPE	QTY	TYPE	QTY	NOTES
MAIN	120/240	1	3	400A	. MCB	1 54	SQUARE-D	NO	SURFACE	22K	20/1	42	20/2	1	30/2	1	50/2	1 1,2
AA	120/240	1	3	100A	. MLO	1 40	SQUARE-D	LOAD CENTER	FLUSH	10K	20/1	38	30/2	1				1

ABBREVIATIONS:

GFI: GROUND FAULT CIRCUIT INTERRUPTING	S: SURFACE MOUNTED
ST: SHUNT TRIP	F: FLUSH MOUNTED

NOTES:

- SEE POWER DISTRIBUTION DIAGRAM, DETAIL 1/E701, FOR FURTHER REQUIREMENTS.
- ALL BREAKERS TO BE COORDINATED WITH DOWNSTREAM EQUIPMENT TO LIMIT FAULT CURRENT PER NEC. ASSUME ZERO CONDUCTOR LENGTH.

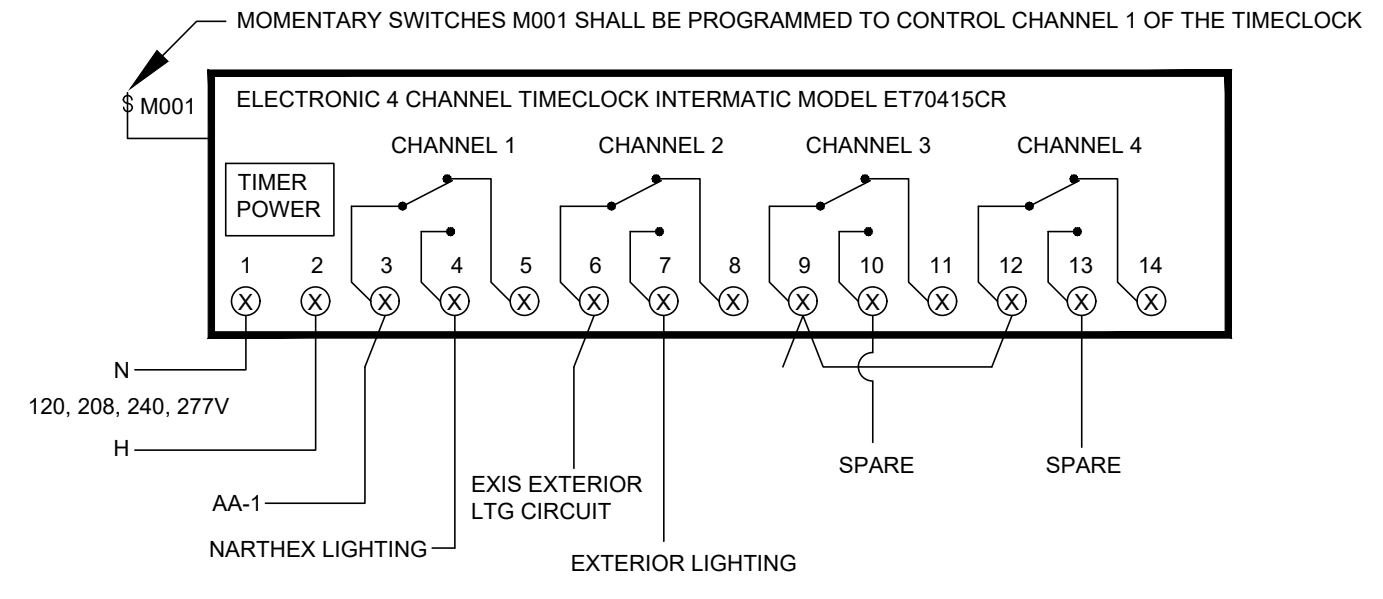
LIGHT FIXTURE SCHEDULE													
FIXTURE TYPE	FIXTURE DESCRIPTION	MANUFACTURER	CATALOG NUMBER	SYSTEM VOLT	FIXTURE LAMPING					NOTES			
					LAMP CATALOG	LAMP NUMBER OR TYPE	LAMP TYPE	LAMP WATTS	LAMP QTY		SYSTEM WATTS		
O6	4' LED WRAPAROUND WITH ACRYLIC LENS, 3500K	LITHONIA	LBL4-4000LM-80CRI-35K-NOIDM	120/277	-	-	-	-	-	36			
D1	6" 1000 LUMEN LED RECESSED DOWNLIGHT, 3500K, SPECULAR REFLECTOR, WHITE TRIM	HALO	PD6-10-ED010-PDM6A-835-61VC-S-WF	120/277	-	-	-	-	-	12	1		
D2	6" 2000 LUMEN LED RECESSED DOWNLIGHT, 3500K, SPECULAR REFLECTOR, WHITE TRIM	LITHONIA	LDN6-3510-LO6WR-AR-LS	120/277	-	-	-	-	-	23	1		
D3	4" 600 LUMEN LED RECESSED DOWNLIGHT, SPECULAR REFLECTOR, WHITE TRIM	LITHONIA	LD4 3505-L04WR-LS-EZ1	120/277	-	-	-	-	-	8			
D5	6" 1000/1500 LUMEN LED RECESSED ADJUSTABLE DOWNLIGHT, SPECULAR REFLECTOR, WHITE TRIM	PORTFOLIO	LD46A10-835-D010TE-LAR35FL-6LA1-LI-WF	120/277	-	-	-	-	-	23	2		
D6	6" 1000/1500 LUMEN LED RECESSED ADJUSTABLE DOWNLIGHT, SPECULAR REFLECTOR, WHITE TRIM	PORTFOLIO	LD46A10-835-D010TE-LAR35FL-6LA1-LI-WF	120/277	-	-	-	-	-	23	7		
E6	POLYCARBONATE LED EXIT SIGN, RED LETTERS WHITE HOUSING, BATTERY BACKUP, TWO REMOTE HEAD CAPABILITY, NO HEADS	LITHONIA	LQ2M-SW-3R-RO	120/277	-	-	-	-	-		3		
E9	POLYCARBONATE UNIVERSAL LED EXIT SIGN, RED LETTERS, WHITE HOUSING AND FACE, BATTERY BACK UP.	LITHONIA	LQM-SW-3R-ELN	120/277	-	-	-	-	-				
EX	EXISTING LIGHTING TO REMAIN												
P2	DECORATIVE 18" PENDANT FIXTURE, BURLED COPPER PLATE FINISH, FAUX ALABASTER DIFFUSER, LED REDUCED WATTAGE LABEL	ULTRALIGHTS	6104-18-BCP-FA-10	120	-	-	-	-	-	20	2	40	4,5
W2	DECORATIVE WALL SCONCE, BURLED COPPER PLATE FINISH, FAUX ALABASTER DIFFUSER	ULTRALIGHTS	7119-BCP-FA-03	120	-	-	-	-	-	20	1	20	4,6
W4	LED WALL PACK LIGHT, TYPE 3 LIGHT DISTRIBUTION	LITHONIA	WSTLED-P2-40K-VW	120/277	-	-	-	-	-			25	

NOTES:

- SOME FIXTURES SHALL BE PROVIDED WITH EMERGENCY BATTERY BALLASTS WITH MINIMUM 600 LUMEN OUTPUT. SEE DRAWINGS FOR FIXTURES AND LOCATIONS AND SPECIFICATIONS FOR BALLAST INFORMATION.
- ADJUST FIXTURES SUCH THAT THE LIGHT IS AIMED STRAIGHT DOWN.
- PROVIDE TWO WET LOCATION LISTED EMERGENCY LAMPHEADS WITH A MINIMUM 7.2W LAMP FOR EACH HEAD FOR EACH LOCATION FOR EXTERIOR EMERGENCY LIGHTING REQUIREMENTS. SEE PLANS.
- PROVIDE DIMMABLE 20W A19 LED RETROFIT LAMP(S) FOR NOTED FIXTURE.
- PROVIDE PENDANT LENGTH AS REQUIRED TO INSTALL FIXTURE AT 10'-0" AFF TO BOTTOM OF FIXTURE.
- INSTALL NOTED FIXTURE AT 7'-4" TO THE TOP OF THE LAMP SHADE.
- ADJUST FIXTURES TO ILLUMINATE THE WALL. COORDINATE WITH THE OWNER. NOTED FIXTURES SHALL BE DIMMED.

GENERAL NOTES:

- ALL NON-IC RATED FIXTURES INSTALLED IN AN IC APPLICATION SHALL HAVE THE SURROUNDING AREA BOXED OUT SUCH THAT INSULATION DOES NOT COME IN CONTACT WITH THE FIXTURE. FURTHERMORE, BOXING OUT OF THE FIXTURES DOES NOT REMOVE OR COMPROMISE THE REQUIREMENT TO MAINTAIN THE BUILDING INSULATION SYSTEM AS CALLED OUT IN OTHER AREAS OF THE CONTRACT DOCUMENTS.
- WHERE RECESSED FIXTURES PENETRATE THE BUILDING ENVELOPE BETWEEN CONDITIONED AND NON CONDITIONED SPACES, THE PENETRATION SHALL BE PROPERLY SEALED TO ELIMINATE AIR MOVEMENT FROM A CONDITIONED SPACE TO A NON CONDITIONED SPACE.



TIMECLOCK LIGHTING CONTROL DETAIL

4
E700
NO SCALE