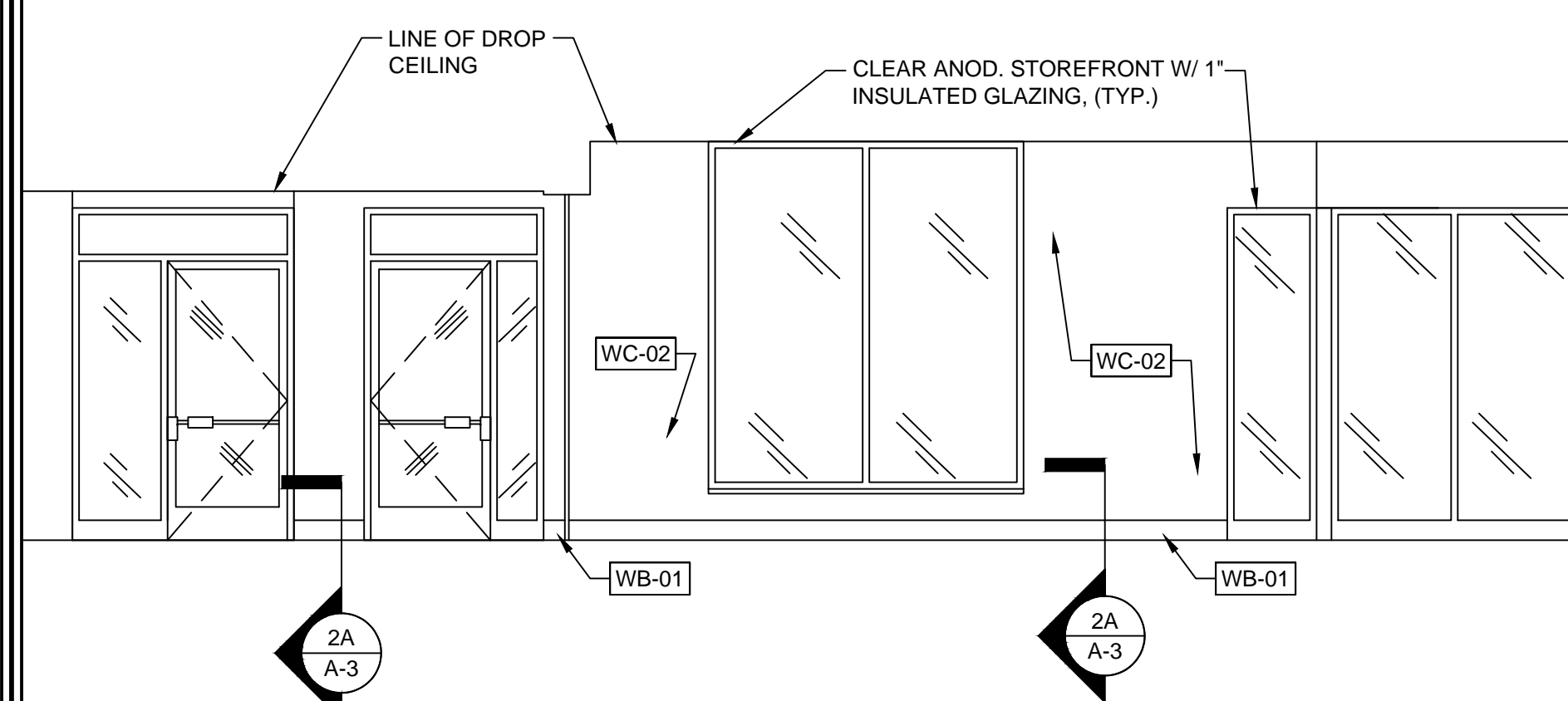


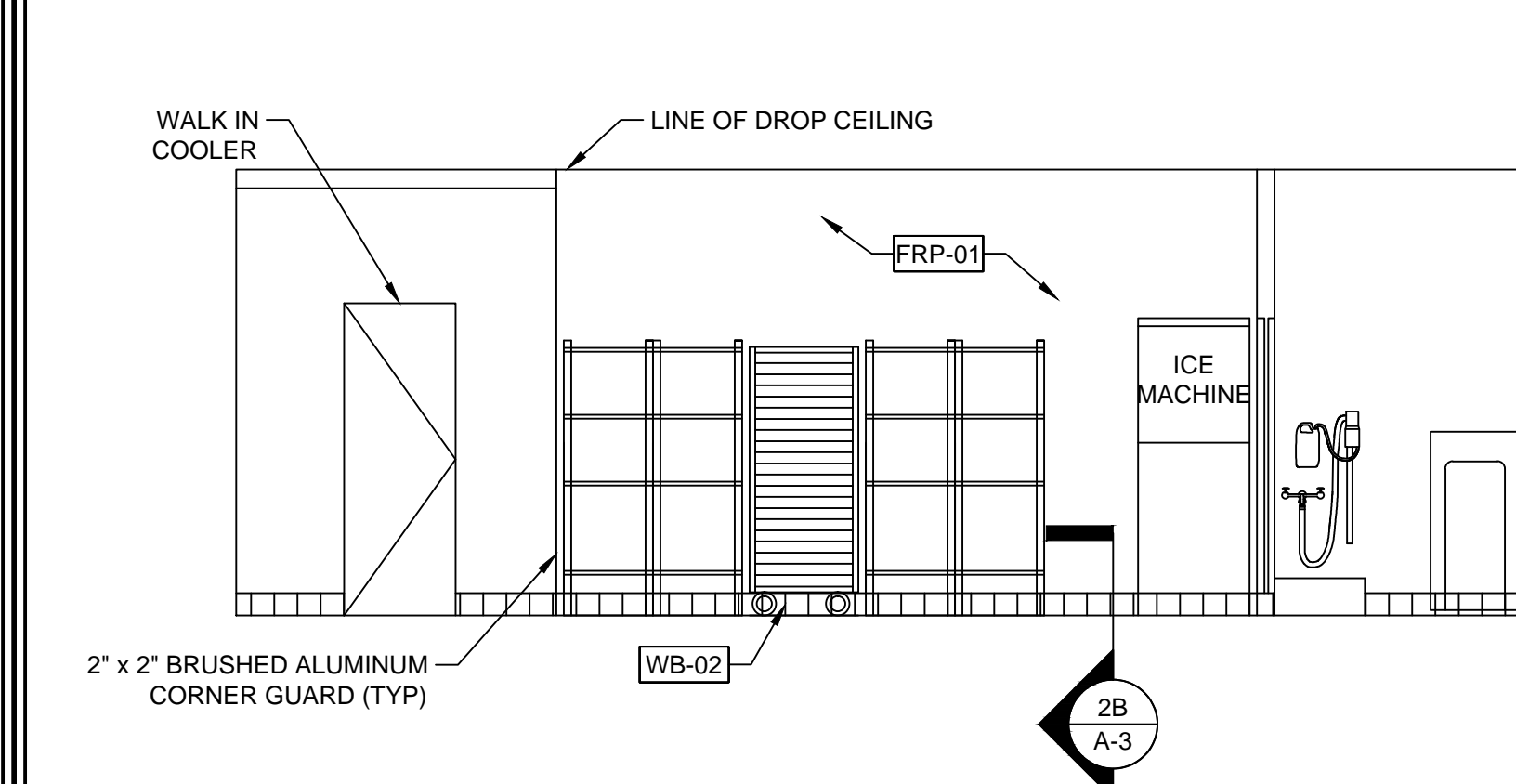
1 INTERIOR ELEVATION AT DINING AREA

1/4" = 1'-0" NOTE:



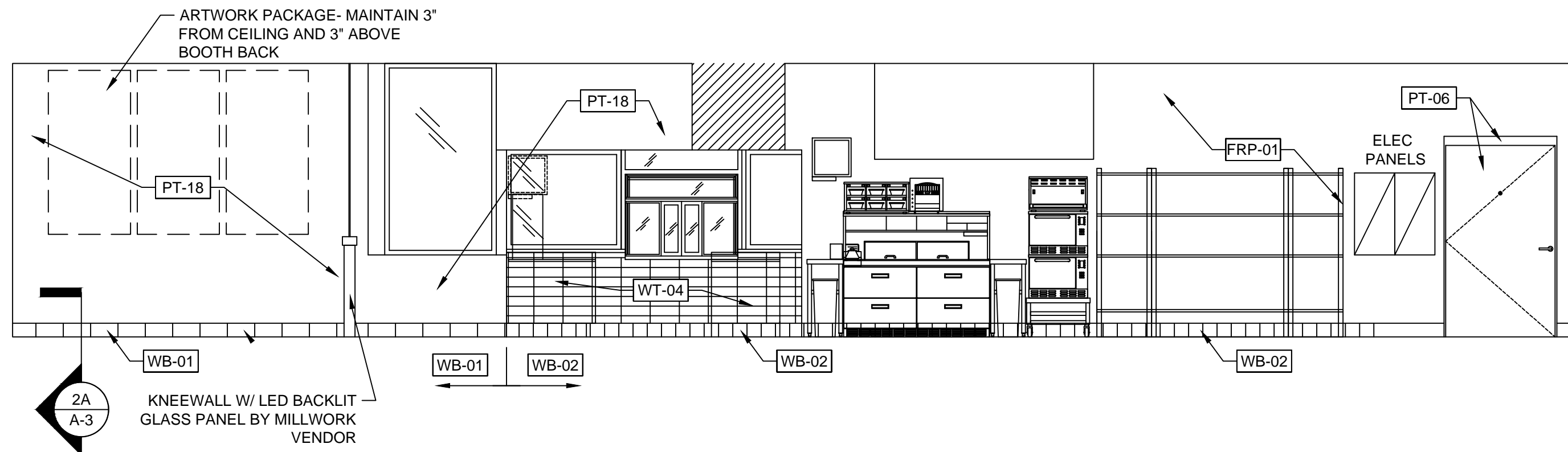
2 INTERIOR ELEVATION AT DINING AREA

1/4" = 1'-0" NOTE:



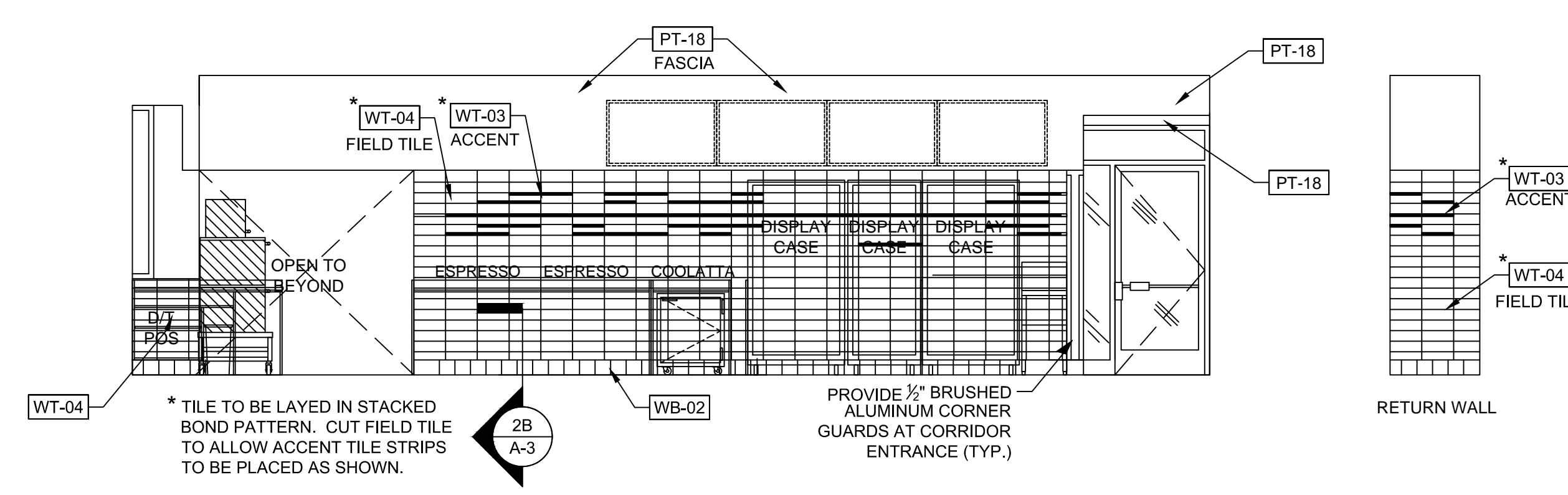
3 INTERIOR ELEVATION AT STORAGE AREA

1/4" = 1'-0" NOTE:



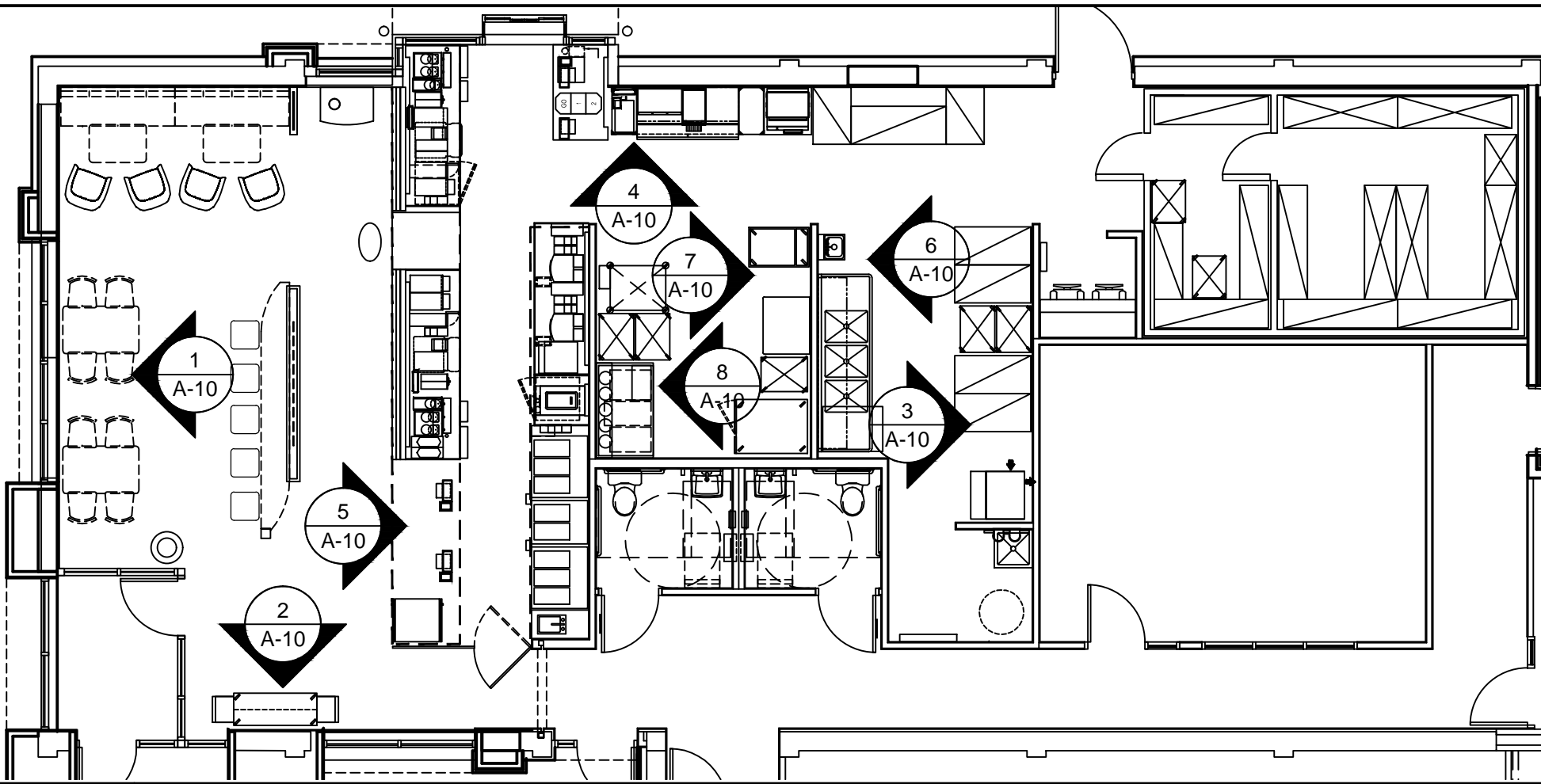
4 INTERIOR ELEVATION AT SEATING / DRIVE-THRU / KITCHEN & PREP AREA

1/4" = 1'-0" NOTE:



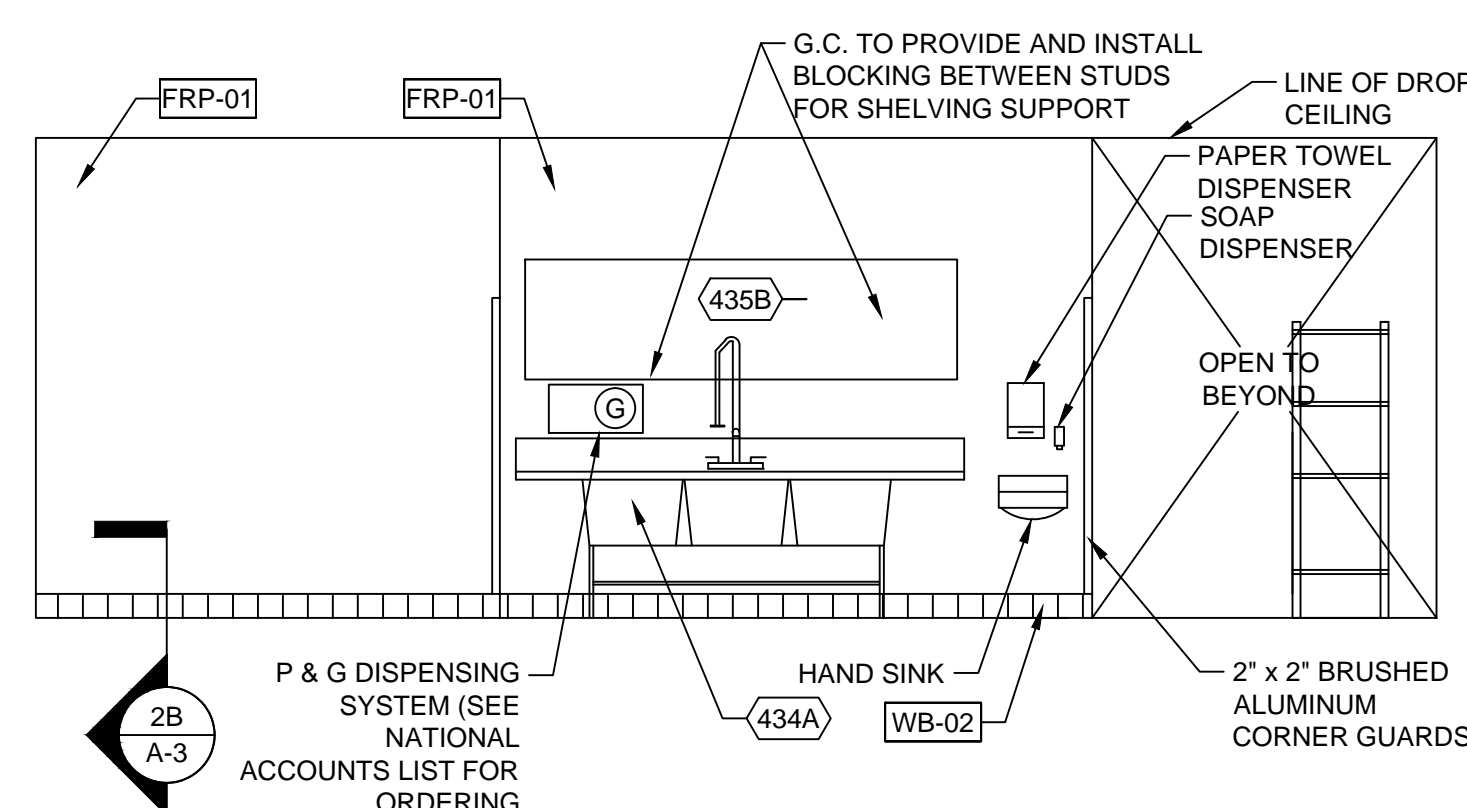
5 INTERIOR ELEVATION AT SERVICE AREA

1/4" = 1'-0" NOTE:



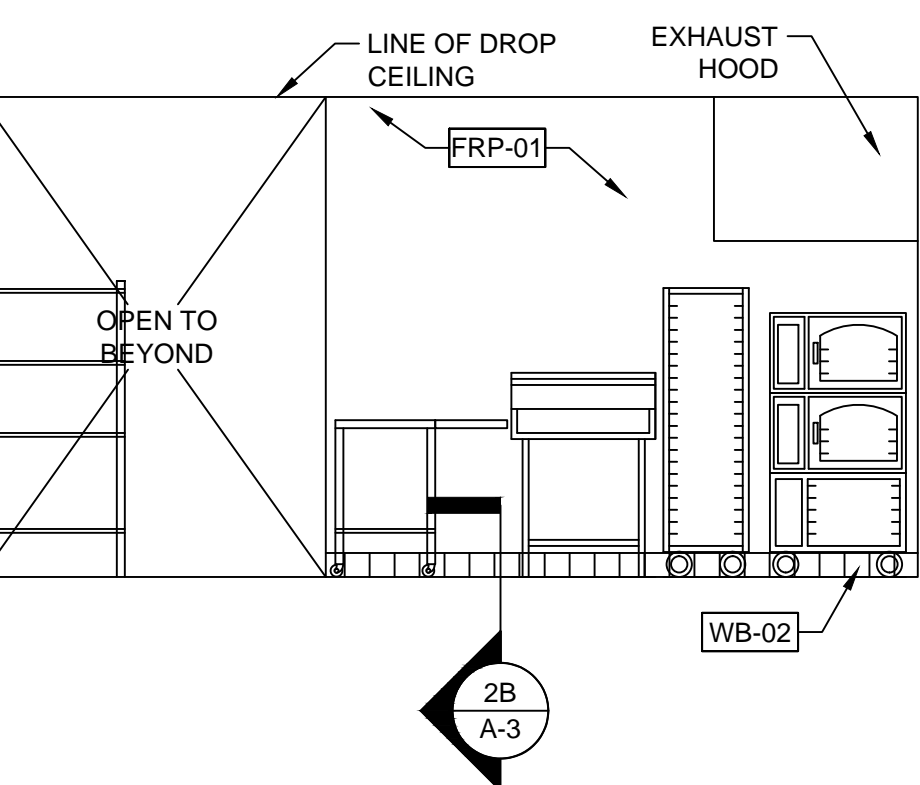
5 KEY PLAN

1/8" = 1'-0" NOTE:



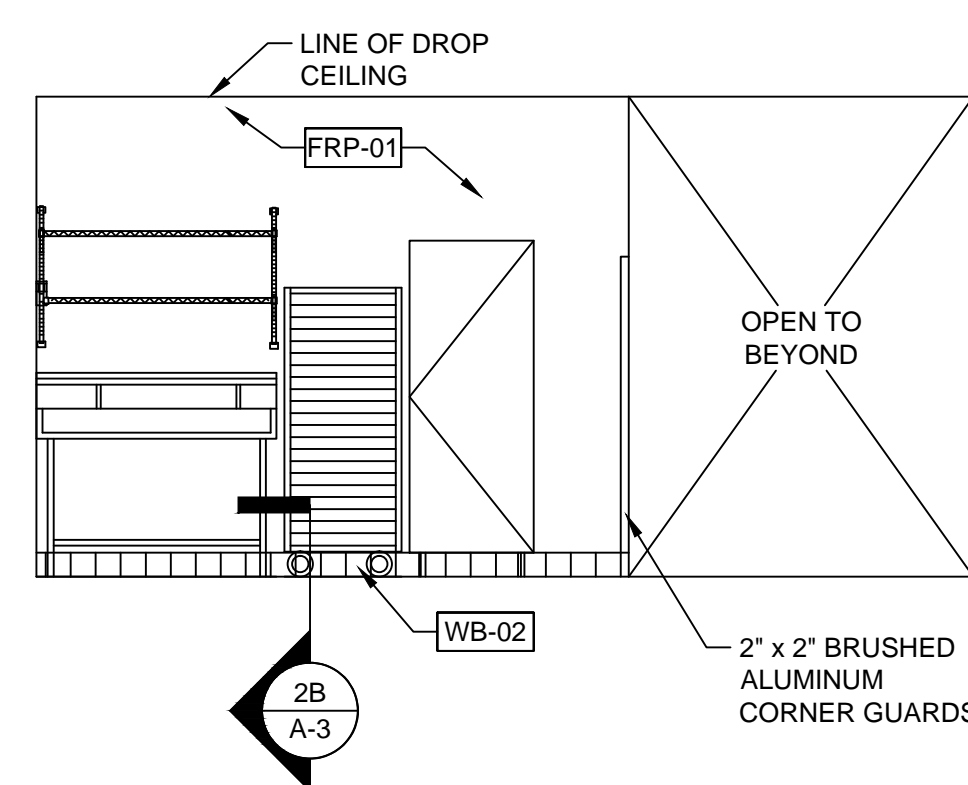
6 INTERIOR ELEVATION AT KITCHEN SINK

1/4" = 1'-0" NOTE:



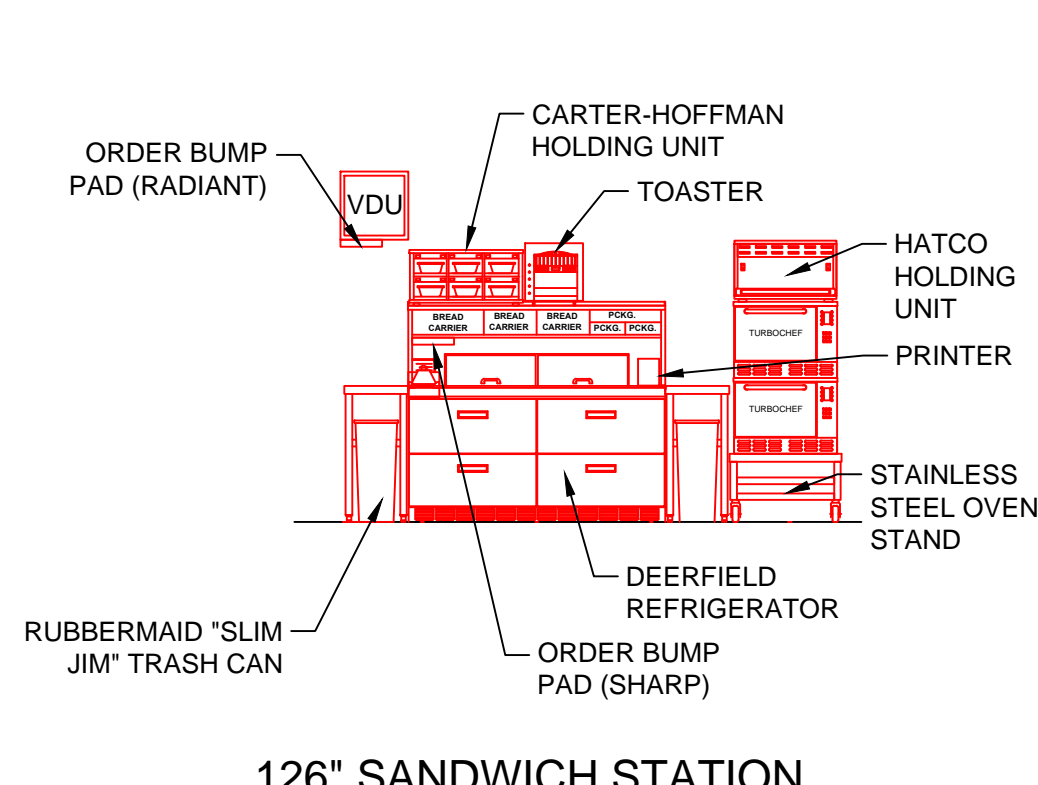
7 INTERIOR ELEVATION AT BAKERY OVEN

1/4" = 1'-0" NOTE:



8 INTERIOR ELEVATION AT BAKERY PREP

1/4" = 1'-0" NOTE:



126" SANDWICH STATION

9 10'-6" SANDWICH STATION ELEVATION

1/4" = 1'-0" NOTE:

FINISH MATERIAL SCHEDULE:

FINISH MATERIAL SCHEDULE - JAZZ BREW				
CODE	MATERIAL	MANUFACTURER	PRODUCT #	DESCRIPTION / REMARKS
WB-01	CERAMIC TILE	DAL TILE	COLOUR SCHEME B909 "ARTISAN BROWN"	CUT 12"x12" FLOOR TILE W/ SATIN NICKEL SCHLUTER STRIP CAP JOLLY - ANIGB
WB-01 ALT	CERAMIC TILE	DAL TILE	COLOUR SCHEME B909 "ARTISAN BROWN" #B909P36C9T81P2	6"x12" COVED BASE TILE (OPTIONAL UPGRADE)
WB-02	QUARRY TILE	DAL TILE	QUARRY TILE Q3565 "SAHARA SAND"	5"x6" COVE BASE- SEE NATIONAL ACCOUNTS FOR INSIDE/OUTSIDE CORNER PRODUCT NUMBERS
PT-01	PAINT	SHERWIN WILLIAMS	6372	"INVITING IVORY": SATIN FINISH
PT-02	PAINT	SHERWIN WILLIAMS	6884	"OBSTINATE ORANGE": SATIN FINISH (INTERIOR)
PT-03	PAINT	SHERWIN WILLIAMS	6140	"MODERATE WHITE": SATIN FINISH
PT-04	PAINT	SHERWIN WILLIAMS	6099 *	"SAND DOLLAR": SATIN FINISH
PT-05	PAINT	SHERWIN WILLIAMS	7536	"BITTERSWEET STEM": SATIN
PT-06	PAINT	SHERWIN WILLIAMS	7724 *	"CANOE": SATIN
PT-07	PAINT	SHERWIN WILLIAMS	6117 *	"SMOKEY TOPAZ": SATIN
PT-08	PAINT	SHERWIN WILLIAMS	6096	"JUTE BROWN": SATIN
PT-09	PAINT	SHERWIN WILLIAMS	6097	"STURDY BROWN": SATIN
PT-10	PAINT	SHERWIN WILLIAMS	6090	"JAVA": SATIN
PT-11	PAINT	SHERWIN WILLIAMS	6069	"FRENCH ROAST": SATIN
PT-12	PAINT	SHERWIN WILLIAMS	6006	"BLACK BEAN": SATIN
PT-18	PAINT	SHERWIN WILLIAMS	7553	"FRAGILE BEAUTY": SATIN
PT-19	PAINT	SHERWIN WILLIAMS	7517	"CHINA DOLL": SATIN
WT-03	WALL TILE	DAL TILE	CERAMIC TILE - Q097441P "ORANGE BURST"	1"x6" ACCENT TILE- BACKLINE WALL- AS INDICATED IN ELEVATIONS- USE W/ GROUT G-03
WT-04	WALL TILE	DAL TILE	MODERN DIMENSIONS 0161 "URBAN PUTTY"	4 1/4"x12 3/4" FIELD TILE- BACKLINE WALL- AS INDICATED IN ELEVATIONS- USE W/ GROUT G-03
WT-06	WALL TILE	DAL TILE	CY03 "DISTRICT GOLD"	12"x12" FIELD TILE- RESTROOM WALL- AS INDICATED IN ELEVATION- USE W/ GROUT G-04
WT-07	WALL TILE	DAL TILE	CY08 "URBAN EVENING"	3"x12" ACCENT TILE- RESTROOM WALL- AS INDICATED IN ELEVATION- USE W/ GROUT G-04. Cut tile to 3" size
WT-11	WALL TILE	DAL TILE	POLARIS PL22 "GLOSS ALMOND"	8"x8" TILE IN A 45 DEGREE DIAGONAL PATTERN- BR BACKLINE, USE W/ GROUT G-02 (COMBO ONLY)
FRP-01	FIBERGLASS REINFORCED PANELS	MARLITE	P100 "WHITE"	BOH/KITCHEN AREAS NOT IN PUBLIC VIEW
FRP-01 ALT	FIBERGLASS REINFORCED PANELS	CRANE KEMLITE	866 "WHITE"	BOH/KITCHEN AREAS NOT IN PUBLIC VIEW
SSX-04	SOLID SURFACE MATERIAL	SAMSUNG	459-58 "BRIGHT WHITE" MATTE FINISH	FRONT LINE MILLWORK TOPS, CONDIMENT STATION
PL-02	PLASTIC LAMINATE	FORMICA	909-58 "BLACK" MATTE FINISH	FRONT LINE MILLWORK- SERVICE SIDE FINISH
PL-03	PLASTIC LAMINATE	FORMICA	10669-60 "CITRUS ORANGE"	FRONT LINE MILLWORK- SALES AREA SIDE FINISH BEHIND REMOVABLE PANELS
PL-04	PLASTIC LAMINATE	FORMICA	9257-58 "GLOW MAPLE" MATTE FINISH	FRONT LINE MILLWORK PANEL, HEADER, CUSTOM MILLWORK & CONDIMENT STATION LAMINATE
G-03	GROUT	CUSTOM BUILDING PRODUCTS	#382 "BONE"	FOR USE WITH BACKLINE WALL TILE
G-04	GROUT	CUSTOM BUILDING PRODUCTS	#17 "BUTTER CREAM"	FOR USE WITH RESTROOM WALL TILE
WC-02	WALLCOVERING	APA COLOR GRAPHICS	DD "FRESH BREW" RED INTERNATIONAL WALLCOVERING	USE FOR INDICATED ACCENT WALL IN SALES AREA DESIGN- SEE ELEVATIONS FOR LOCATION
ST-01	STAIN	SHERWIN WILLIAMS	5981-0070614 #3134 "WEATHERED TEAK"	WOOD TRIM, CASINGS, LOW WALL CAPS, SHROUD CAP

BIDDING DOCUMENTS (FULL PROJECT)

NOTE: DRAWINGS ARE NOT TO SCALE IF PLOTTED ON AN "SHEET SIZE" OTHER THAN 36" x 24"

DD FRESH BREW 1.0 FLAVOR PALETTE

"JAZZ BREW" DESIGN GUIDELINES

INTERIOR ELEVATIONS

WALL FINISH SCHEDULE

PC 35 2721 - 950 Main Avenue, DePere, WI

DATE: 02/05/14

SCALE: AS NOTED

DRAWN: DJR

CHKD: djr

APPD: -

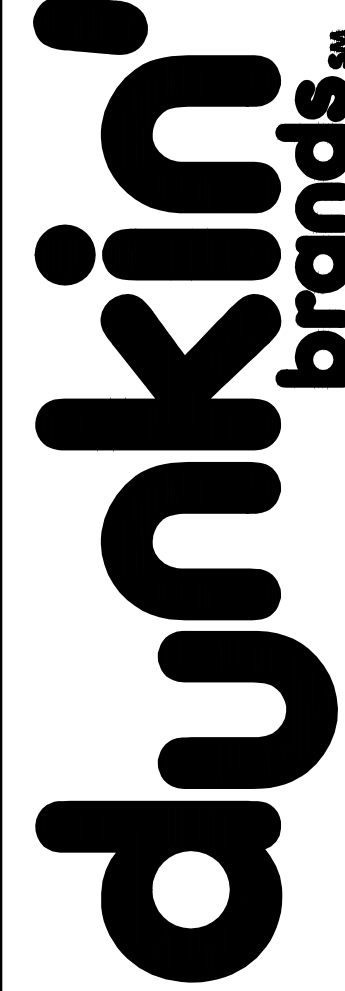
DATE: 02/05/14

SCALE: AS NOTED

DRAWN: DJR

CHKD: djr

APPD: -



**DIMENSION IV**  
 Planning, Architectural Design, and Construction Administration  
 Green Architecture and Sustainable Design  
 Phone (920) 431-3444  
 211 N. Broadway  
 Suite 204  
 Green Bay, WI 54303  
 Fax (920) 431-3445  
 www.dimension-iv.com  
 A Division of Idea House, Inc.

THESE PLANS ARE CONFIDENTIAL PROPERTY OF DUNKIN' BRANDS INC. UNDER RESTRICTED ACCESS.

V:\BID\Architect\Projects\00-Current\Work\02-211086-Dunkin' Brands\_950 Main Avenue\08-14-14\02-211086-Dunkin' Brands\_950 Main Avenue\08-14-14\02-211086-Dunkin' Brands\_950 Main Avenue.dwg